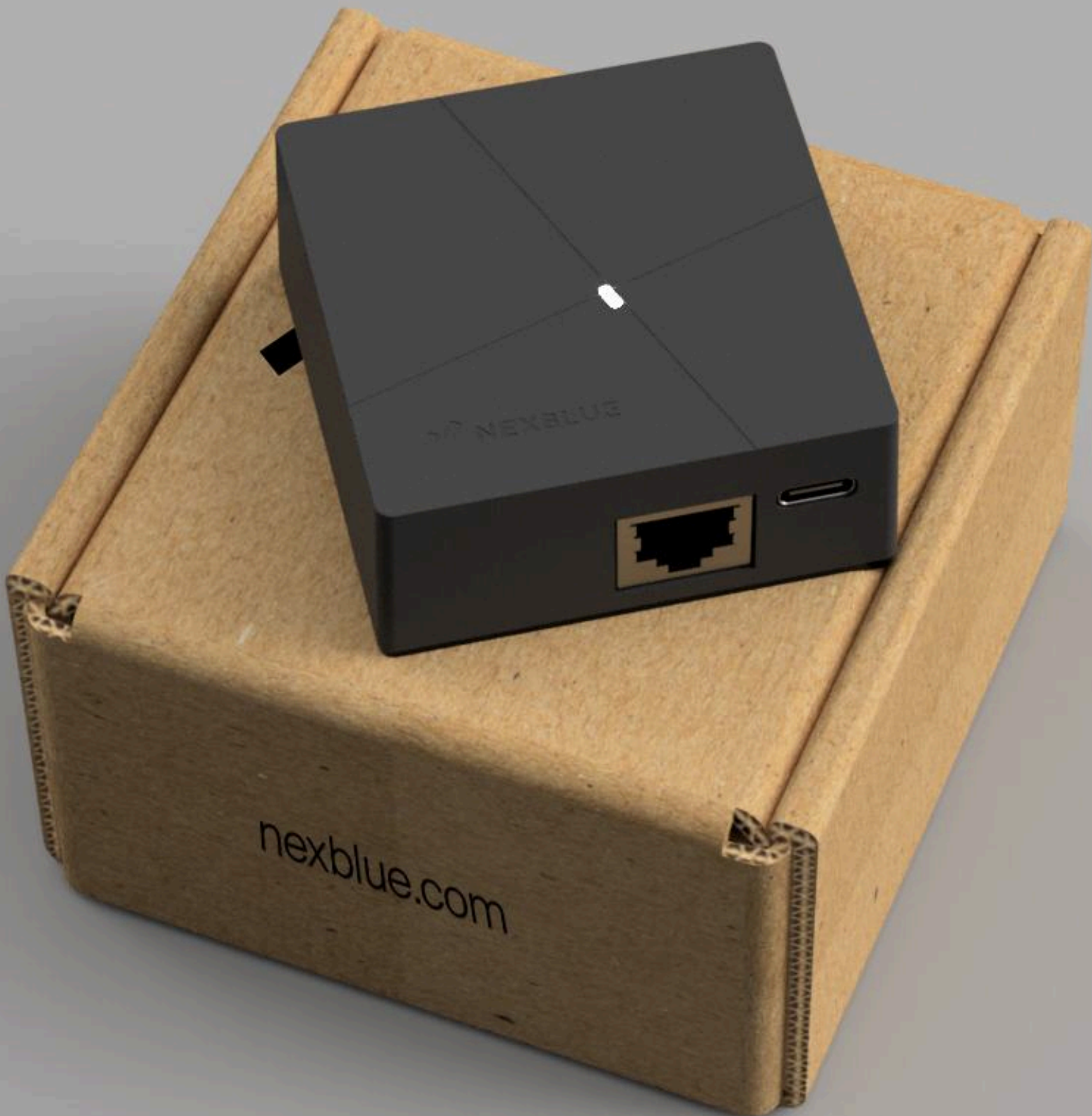


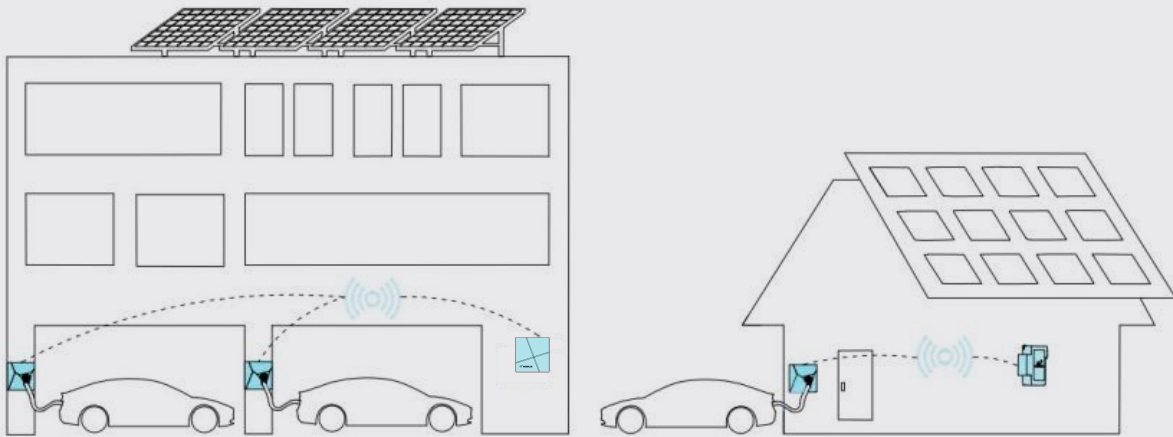


Be current. Always forward



NexBlue Zen (Smart meter)

Load Balancer for Smart Meter Scenarios



Optimizing energy use

- Efficiently monitor and optimize energy use via WiFi
- Solar Surplus Mode with auto 3-1 phase switching to access free, eco-friendly charging
- Save cost by setting up household electricity consumption limits during peak hours

Effortless installation

- No disassembly required
- No additional APP required
- No extra power supply required
- Plug & Play connection to the smart meter
- Easily snap it to the fuse cabinet with the magnetic backing

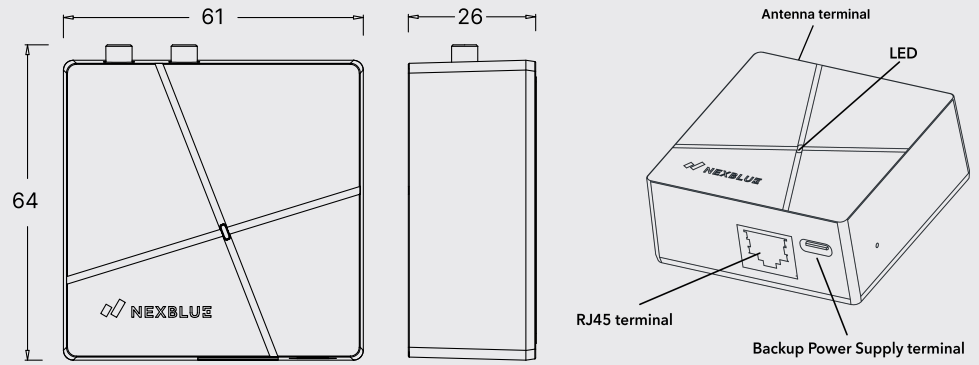
Hassle-free smart charging

- Uninterrupted charging with Dynamic Load Management even without network
- High penetrability through walls with Nexus RF™ (Local Radio Frequency)
- Automatic phase selection based on load distribution

Compact and highly compatible

- Supporting ALL smart meters with HAN/P1 port and Kamstrup OMNIPower® meters (no extra module needed)
- No need to occupy the DIN rail in the crowded fuse cabinet
- Nexus RF™ / Wi-Fi / Bluetooth
- Future-proof for communication with energy storage and PV panels

Dimensions



Technical Information

General

Model

SMBNA

Dimension (mm)

H: 64 x W: 61 x D: 26

Weight

57 g

Color

Black

Rated power

0.1-1.7W

Power supply

3.8-38 Vdc

Terminals

RJ45 terminal, Backup Power Supply terminal, Antenna terminal

Mounting

Magnetic backing

Warranty

3 years

Connectivity

Wi-Fi

2.4 GHz 802.11b/g/n

Bluetooth

BLE 4.2

Nexus RF™

Operating conditions

Operating temperature

-25°C to +50°C

Ingress protection

IP30

Relative humidity

0 - 90%

Altitude

0-2000 m

Indoor use

Yes

Regulations

EU Type Examination Certificate (Module B) Confirming Compliant with

Article 3.1.a: Health and Safety

Article 3.1.b: EMC

Article 3.2: Effectively uses and efficient use of radio spectrum



NEXBLUE

Sweden Office

Birger Jarlsgatan 57 C
113 56 Stockholm, Sweden

Norway Office

Grenseveien 21
4313 Sandnes, Norway

General Inquiry Email

info@nexblue.com

Website

www.nexblue.com

LinkedIn
@nexblue



Instagram
@nexblue.official

